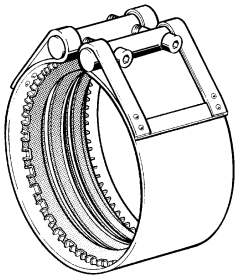


Products	14.0
Application and General Rules for Waste Water Pipes	14.1
Application and Installation Guidelines for SHARK-KR Connector	14.2
Installation Guidelines for SHARK-KR Connector	14.3



Products

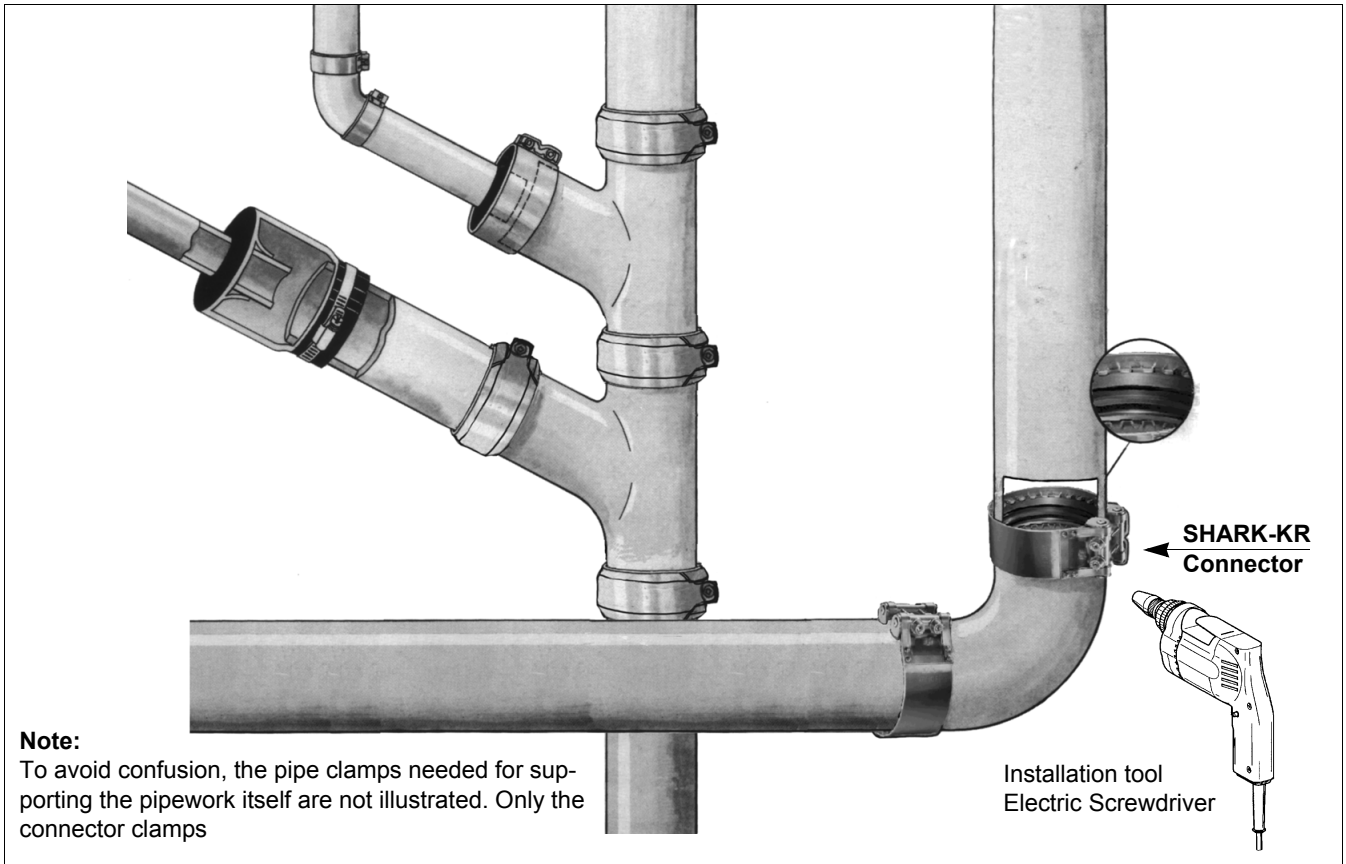
SHARK-KR Connector



DN		suitable Pipe Connectors	
200	Standard	SHARK-KR Connector DN 200 A (three parts)	
150	Standard	SHARK-KR Connector DN 150 A (two parts)	
125	Standard	SHARK-KR Connector DN 125 A (one part)	
100	Standard	SHARK-KR Connector DN 100	SHARK-KR Connector DN 100 A
80	Standard	SHARK-KR Connector DN 80	
70	Standard	SHARK-KR Connector DN 70	
50	Standard	SHARK-KR Connector DN 50	

0 0.5 1 2 3 4 5 Pressure [bar]

Application and General Rules for Waste Water Pipes

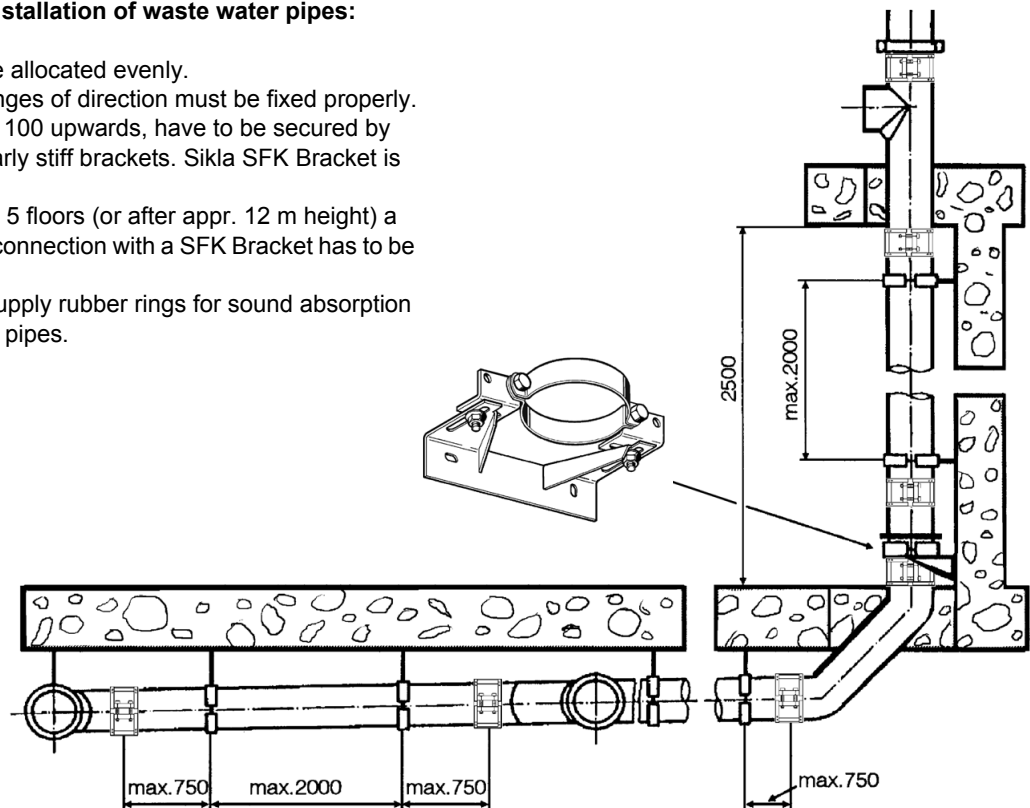


General rules for the installation of waste water pipes:

1. Fixing points are to be allocated evenly.
2. All branches and changes of direction must be fixed properly.
3. Vertical runs from DN 100 upwards, have to be secured by supports and particularly stiff brackets. Sikla SFK Bracket is recommended.

In higher buildings, all 5 floors (or after appr. 12 m height) a down pipe support in connection with a SFK Bracket has to be installed.

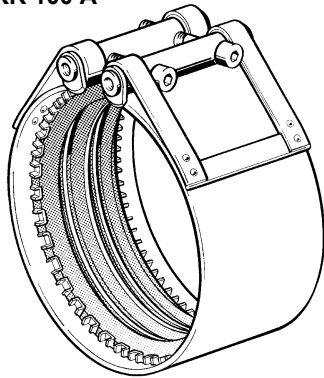
Pipe manufacturers supply rubber rings for sound absorption suitable for their drain pipes.



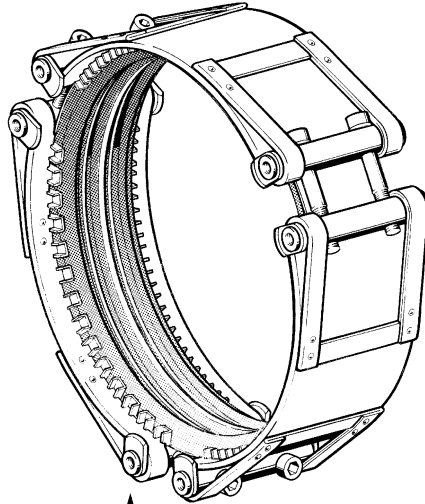
Application and Installation Guidelines for SHARK-KR Connector

Various types according to the requirements of nominal diameters and longitudinal forces.

KR 50
KR 70
KR 80
KR 100
KR 100 A



KR 200 A



↑
Stopper element

Fields of application:

- All pipe sections in tail back areas
- High-pressure drainage systems
- Sewage pipes
- Pumping stations
- Pressure tests

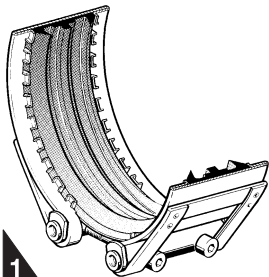
Advantages:

- Tightness and longitudinal forces in one unit.
- Clamp band and serration are made out of the same rustproof chrome steel.
- Few individual parts reduce and simplify the assembly effort.

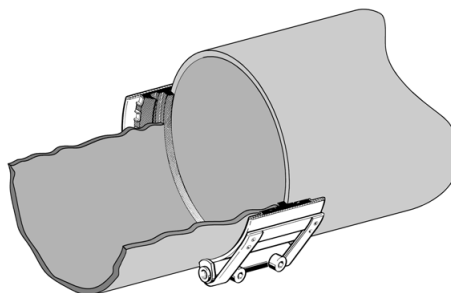
Caution!

- ▶ *In areas where the risk of hydraulic shock is given, e. g. behind pumps, Pipe Connectors with stopper elements (type SHARK KR ... A) must be used for safety reasons.*

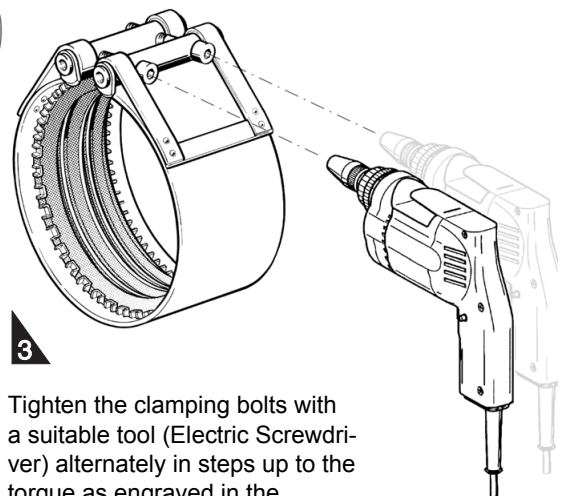
Installation Guidelines for one-piece types KR 50, KR 70, KR 100, KR 100 A, KR 125 A



1
Slip the ready-to-mount Pipe Connector over the pipe end. The inner stop forms middle ring of the sealing sleeve. In order to slide on the pipe more easily, a sliding agent has to be applied to the sealing lips.



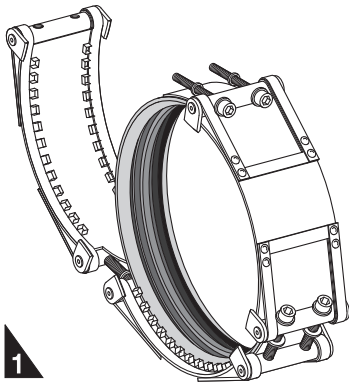
2
Insert the next pipe or fitting up to the middle ring of the sealing sleeve.



3
Tighten the clamping bolts with a suitable tool (Electric Screwdriver) alternately in steps up to the torque as engraved in the Connector.

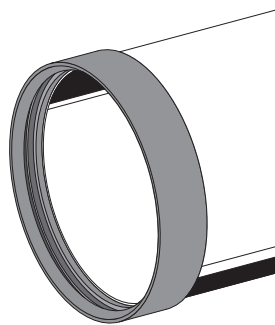
Installation Guidelines for SHARK-KR Connector

Installation Guidelines for Pipe Connectors consisting of several parts, types KR 150 A, KR 200 A



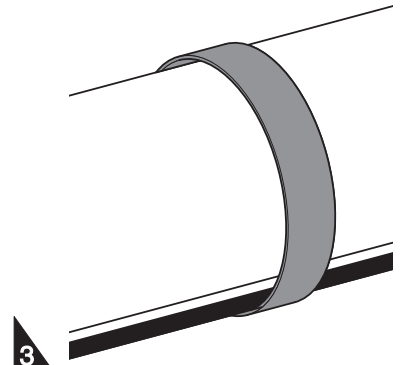
1

Open the Pipe Connector at one point and remove the EPDM sealing sleeve.



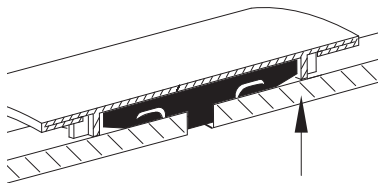
2

Slip the sleeve onto a pipe end up to the sleeve's middle ring.



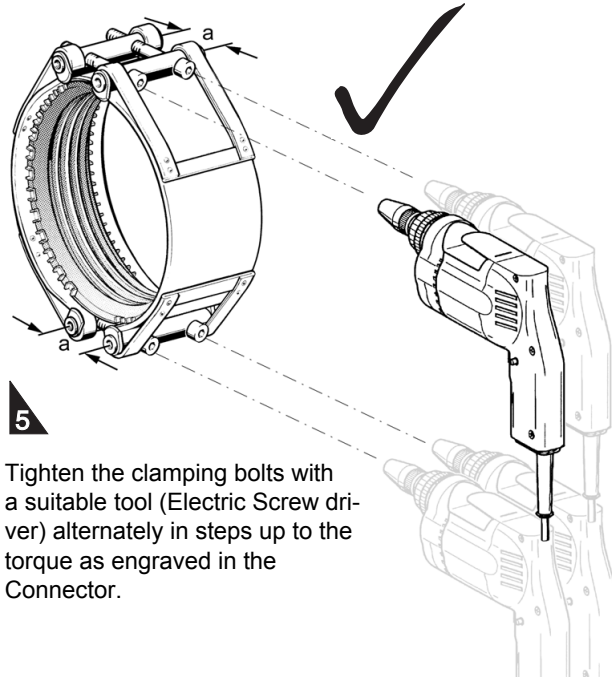
3

Insert the next pipe or fitting also up to the middle ring of the sealing sleeve. In order to slide on more easily, a sliding agent has to be applied to the sealing lips.



4

When fitting the sheathing strip, ensure that the integrated claws grab around the sealing sleeve on both sides.



5

Tighten the clamping bolts with a suitable tool (Electric Screw driver) alternately in steps up to the torque as engraved in the Connector.

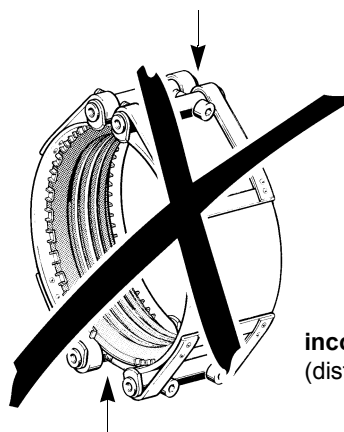
Note:

- The installation and mounting instructions for pipes according to DIN 19522 are to be considered.

All SHARK-KR Connectors are approved by the DIBt (German institute for construction-technology) in Berlin.

Caution!

- When using Pipe Connectors consisting of several parts, make sure that during installation the distance (a) between the segments is approximately equal.



incorrect installation!
(distances between the segments differ)