

European Technical Approval ETA-10/0259

English translation prepared by DIBt - Original version in German language

Handelsbezeichnung
Trade name

SIKLA Bolzenanker BZ plus
SIKLA Wedge Anchor BZ plus

Zulassungsinhaber
Holder of approval

Sikla Holding Ges.m.b.H.
Kornstraße 14
4614 MARCHTRENK
ÖSTERREICH

Zulassungsgegenstand
und Verwendungszweck
*Generic type and use
of construction product*

Kraftkontrolliert spreizender Dübel in den Größen M8, M10, M12, M16,
M20 und M24 zur Verankerung im Beton
*Torque controlled expansion anchor of sizes M8, M10, M12, M16, M20
and M24 for use in concrete*

Geltungsdauer:
Validity: vom
from
bis
to

28 March 2011
30 January 2014

Herstellwerk
Manufacturing plant

Sikla Herstellwerk 1

Diese Zulassung umfasst
This Approval contains

16 Seiten einschließlich 8 Anhänge
16 pages including 8 annexes

Diese Zulassung ersetzt
This Approval replaces

ETA-10/0259 mit Geltungsdauer vom 09.07.2010 bis 17.06.2013
ETA-10/0259 with validity from 09.07.2010 to 17.06.2013

I LEGAL BASES AND GENERAL CONDITIONS

- 1 This European technical approval is issued by Deutsches Institut für Bautechnik in accordance with:
 - Council Directive 89/106/EEC of 21 December 1988 on the approximation of laws, regulations and administrative provisions of Member States relating to construction products¹, modified by Council Directive 93/68/EEC² and Regulation (EC) N° 1882/2003 of the European Parliament and of the Council³;
 - Gesetz über das In-Verkehr-Bringen von und den freien Warenverkehr mit Bauprodukten zur Umsetzung der Richtlinie 89/106/EWG des Rates vom 21. Dezember 1988 zur Angleichung der Rechts- und Verwaltungsvorschriften der Mitgliedstaaten über Bauprodukte und anderer Rechtsakte der Europäischen Gemeinschaften (Bauproduktengesetz - BauPG) vom 28. April 1998⁴, as amended by law of 31 October 2006⁵;
 - Common Procedural Rules for Requesting, Preparing and the Granting of European technical approvals set out in the Annex to Commission Decision 94/23/EC⁶;
 - Guideline for European technical approval of "Metal anchors for use in concrete - Part 2: Torque controlled expansion anchors ", ETAG 001-02.
- 2 Deutsches Institut für Bautechnik is authorized to check whether the provisions of this European technical approval are met. Checking may take place in the manufacturing plant. Nevertheless, the responsibility for the conformity of the products to the European technical approval and for their fitness for the intended use remains with the holder of the European technical approval.
- 3 This European technical approval is not to be transferred to manufacturers or agents of manufacturers other than those indicated on page 1, or manufacturing plants other than those indicated on page 1 of this European technical approval.
- 4 This European technical approval may be withdrawn by Deutsches Institut für Bautechnik, in particular pursuant to information by the Commission according to Article 5(1) of Council Directive 89/106/EEC.
- 5 Reproduction of this European technical approval including transmission by electronic means shall be in full. However, partial reproduction can be made with the written consent of Deutsches Institut für Bautechnik. In this case partial reproduction has to be designated as such. Texts and drawings of advertising brochures shall not contradict or misuse the European technical approval.
- 6 The European technical approval is issued by the approval body in its official language. This version corresponds fully to the version circulated within EOTA. Translations into other languages have to be designated as such.

¹ Official Journal of the European Communities L 40, 11 February 1989, p. 12

² Official Journal of the European Communities L 220, 30 August 1993, p. 1

³ Official Journal of the European Union L 284, 31 October 2003, p. 25

⁴ Bundesgesetzblatt Teil I 1998, p. 812

⁵ Bundesgesetzblatt Teil I 2006, p. 2407, 2416

⁶ Official Journal of the European Communities L 17, 20 January 1994, p. 34

II SPECIFIC CONDITIONS OF THE EUROPEAN TECHNICAL APPROVAL

1 Definition of product and intended use

1.1 Definition of the product

The SIKLA Wedge anchor BZ plus is an anchor made of galvanised steel in sizes M8, M10, 70 M12, M12, M16, M20 and M24 or made of stainless steel or high corrossions resistant steel in sizes M8, M10, 70 M12, M12, M16 and M20 which is placed into a drilled hole and anchored by torque-controlled expansion.

An illustration of the product and intended use is given in Annex 1.

1.2 Intended use

The anchor is intended to be used for anchorages for which requirements for mechanical resistance and stability and safety in use in the sense of the Essential Requirements 1 and 4 of Council Directive 89/106 EEC shall be fulfilled and failure of anchorages made with these products would cause risk to human life and/or lead to considerable economic consequences.

The anchor may be used for anchorages with requirements related to resistance to fire.

The anchor is to be used only for anchorages subject to static or quasi-static loading in reinforced or unreinforced normal weight concrete of strength classes C20/25 at least and C50/60 at most according to EN 206:2000-12. It may be anchored in cracked and non-cracked concrete.

SIKLA Wedge Anchor BZ plus made of galvanised steel:

The SIKLA wedge anchor BZ plus made of galvanised steel may only be used in structures subject to dry internal conditions.

SIKLA Wedge anchor BZ plus A4 made of stainless steel

The SIKLA Wedge anchor BZ plus A4 may be used in structures subject to dry internal conditions and also in structures subject to external atmospheric exposure (including industrial and marine environment), or exposure in permanently damp internal conditions, if no particular aggressive conditions exist. Such particular aggressive conditions are e.g. permanent, alternating immersion in seawater or the splash zone of seawater, chloride atmosphere of indoor swimming pools or atmosphere with extreme chemical pollution (e. g. in desulphurization plants or road tunnels where de-icing materials are used).

SIKLA Wedge anchor BZ plus HCR made of high corrosion resistant steel

The SIKLA Wedge anchor BZ plus HCR may be used in structures subject to dry internal conditions and also in structures subject to external atmospheric exposure, in permanently damp internal conditions or in other particular aggressive conditions. Such particular aggressive conditions are e.g. permanent, alternating immersion in seawater or the splash zone of seawater, chloride atmosphere of indoor swimming pools or atmosphere with chemical pollution (e.g. in desulphurization plants or road tunnels where de-icing materials are used).

The provisions made in this European technical approval are based on an assumed working life of the anchor of 50 years. The indications given on the working life cannot be interpreted as a guarantee given by the producer, but are to be regarded only as a means for choosing the right products in relation to the expected economically reasonable working life of the works.

2 Characteristics of the product and methods of verification

2.1 Characteristics of the product

The anchor corresponds to the drawings and provisions given in Annexes 2 to 4. The characteristic material values, dimensions and tolerances of the anchor not given in Annexes 2 to 4 shall correspond to the respective values laid down in the technical documentation⁷ of this European technical approval.

Regarding the requirements concerning safety in case of fire it is assumed that the anchor meets the requirements of class A1 in relation to reaction to fire in accordance with the stipulations of the Commission decision 96/603/EC, amended by 2000/605/EC.

The characteristic values for the design of anchorages are given in Annexes 5 and 6.

The characteristic values for the design of anchorages regarding resistance to fire are given in Annexes 7 and 8. They are valid for use in a system that is required to provide a specific fire resistance class.

Each anchor is marked with the identifying mark of the producer, the commercial name, the thread size and the maximum thickness of fixture. In addition the SIKLA Wedge anchor BZ plus A4 is marked with the letters "A4" according to Annex 2. In addition the SIKLA Wedge anchor BZ plus HCR is marked with the letters "HCR" according to Annex 2.

The anchor shall only be packaged and supplied as a complete unit.

2.2 Methods of verification

The assessment of fitness of the anchor for the intended use in relation to the requirements for mechanical resistance and stability and safety in use in the sense of the Essential Requirements 1 and 4 has been made in accordance with the "Guideline for European technical approval of Metal Anchors for Use in Concrete", Part 1 "Anchors in general" and Part 2 "Torque-controlled expansion anchors", on the basis of Option 1.

The assessment of the anchor for the intended use in relation to the requirements for resistance to fire has been made in accordance with the technical Report TR 020 "Evaluation of anchorages in concrete concerning resistance to fire".

In addition to the specific clauses relating to dangerous substances contained in this European technical approval, there may be other requirements applicable to the products falling within its scope (e.g. transposed European legislation and national laws, regulations and administrative provisions). In order to meet the provisions of the Construction Products Directive, these requirements need also to be complied with, when and where they apply.

3 Evaluation and attestation of conformity and CE marking

3.1 System of attestation of conformity

According to the decision 96/582/EG of the European Commission⁸ the system 2(i) (referred to as system 1) of attestation of conformity applies.

⁷ The technical documentation of this European technical approval is deposited at the Deutsches Institut für Bautechnik and, as far as relevant for the tasks of the approved bodies involved in the attestation of conformity procedure, is handed over to the approved bodies.

⁸ Official Journal of the European Communities L 254 of 08.10.1996.

System 1: Certification of the conformity of the product by an approved certification body on the basis of:

- (a) Tasks for the manufacturer:
 - (1) factory production control;
 - (2) further testing of samples taken at the factory by the manufacturer in accordance with a prescribed control plan;
- (b) Tasks for the approved body:
 - (3) initial type-testing of the product;
 - (4) initial inspection of factory and of factory production control;
 - (5) continuous surveillance, assessment and approval of factory production control.

Note: Approved bodies are also referred to as "notified bodies".

3.2 Responsibilities

3.2.1 Tasks of the manufacturer

3.2.1.1 Factory production control

The manufacturer shall exercise permanent internal control of production. All the elements, requirements and provisions adopted by the manufacturer shall be documented in a systematic manner in the form of written policies and procedures, including records of results performed. This production control system shall insure that the product is in conformity with this European technical approval.

The manufacturer may only use initial/ raw/ constituent materials stated in the technical documentation of this European technical approval.

The factory production control shall be in accordance with the control plan which is part of the technical documentation of this European technical approval. The control plan is laid down in the context of the factory production control system operated by the manufacturer and deposited at Deutsches Institut für Bautechnik⁹.

The results of factory production control shall be recorded and evaluated in accordance with the provisions of the control plan.

3.2.1.2 Other tasks for the manufacturer

The manufacturer shall, on the basis of a contract, involve a body which is approved for the tasks referred to in section 3.1 in the field of anchors in order to undertake the actions laid down in section 3.2.2. For this purpose, the control plan referred to in sections 3.2.1.1 and 3.2.2 shall be handed over by the manufacturer to the approved body involved.

The manufacturer shall make a declaration of conformity, stating that the construction product is in conformity with the provisions of this European technical approval.

3.2.2 Tasks for the approved bodies

The approved body shall perform the

- initial type-testing of the product,
 - initial inspection of factory and of factory production control,
 - continuous surveillance, assessment and approval of factory production control,
- in accordance with the provisions laid down in the control plan.

⁹ The control plan is a confidential part of the documentation of the European technical approval, but not published together with the European technical approval and only handed over to the approved body involved in the procedure of attestation of conformity.
See section 3.2.2.

The approved body shall retain the essential points of its actions referred to above and state the results obtained and conclusions drawn in a written report.

The approved certification body involved by the manufacturer shall issue an EC certificate of conformity of the product stating the conformity with the provisions of this European technical approval.

In cases where the provisions of the European technical approval and its control plan are no longer fulfilled the certification body shall withdraw the certificate of conformity and inform Deutsches Institut für Bautechnik without delay.

3.3 CE marking

The CE marking shall be affixed on each packaging of the anchor. The letters "CE" shall be followed by the identification number of the approved certification body, where relevant, and be accompanied by the following additional information:

- the name and address of the holder of the approval (legal entity responsible for the manufacturer),
- the last two digits of the year in which the CE marking was affixed,
- the number of the EC certificate of conformity for the product,
- the number of the European technical approval,
- the number of the guideline for European technical approval
- use category (ETAG 001-1 Option 1),
- size.

4 Assumptions under which the fitness of the product for the intended use was favourably assessed

4.1 Manufacturing

The European technical approval is issued for the product on the basis of agreed data/information, deposited with Deutsches Institut für Bautechnik, which identifies the product that has been assessed and judged. Changes to the product or production process, which could result in this deposited data/information being incorrect, should be notified to Deutsches Institut für Bautechnik before the changes are introduced. Deutsches Institut für Bautechnik will decide whether or not such changes affect the European technical approval and consequently the validity of the CE marking on the basis of the European technical approval and if so whether further assessment or alterations to the European technical approval shall be necessary.

4.2 Design of anchorages

The fitness of the anchor for the intended use is given under the following conditions:

The anchorages are designed in accordance with the "Guideline for European technical approval of Metal Anchors for Use in Concrete", Annex C, Method A, for torque controlled expansion anchors under the responsibility of an engineer experienced in anchorages and concrete work.

Verifiable calculation notes and drawings are taking account of the loads to be anchored.

The position of the anchor is indicated on the design drawings (e.g. position of the anchor relative to reinforcement or to supports).

The design of anchorages under fire exposure has to consider the conditions given in the technical Report TR 020 "Evaluation of anchorages in concrete concerning resistance to fire". The relevant characteristic anchor values are given in Annexes 7 and 8. The design method covers anchors with a fire attack from one side only. If the fire attack is from more than one side, the design method may be taken only, if the edge distance of the anchor is $c \geq 300$ mm.

4.3 Installation of anchors

The fitness for use of the anchor can only be assumed if the anchor is installed as follows:

- Anchor installation carried out by appropriately qualified personnel and under the supervision of the person responsible for technical matters of the site,
- Use of the anchor only as supplied by the manufacturer without exchanging the components of an anchor,
- Anchor installation in accordance with the manufacturer's specifications and drawings and using the appropriate tools,
- Checks before placing the anchor to ensure that the strength class of the concrete in which the anchor is to be placed is in the range given and is not lower than that of the concrete to which the characteristic loads apply,
- Check of concrete being well compacted, e.g. without significant voids,
- Edge distances and spacing not less than the specified values without minus tolerances,
- Positioning of the drill holes without damaging the reinforcement,
- In case of aborted hole: new drilling at a minimum distance away of twice the depth of the aborted hole or smaller distance if the aborted drill hole is filled with high strength mortar and if under shear or oblique tension load it is not in the direction of load application,
- Cleaning of the hole of drilling dust,
- Anchor installation such that the effective anchorage depth is complied with. This compliance is ensured when the embedment mark of the anchor does no more exceed the concrete surface,
- Application of the torque moment given in Annex 3 using a calibrated torque wrench.

5 Indications to the manufacturer

The manufacturer is responsible to ensure that the information on the specific conditions according to 1 and 2 including Annexes referred to and 4.2 and 4.3 is given to those who are concerned. This information may be made by reproduction of the respective parts of the European technical approval. In addition all installation data shall be shown clearly on the package and/or on an enclosed instruction sheet, preferably using illustration(s).

The minimum data required are:

- Diameter of drill bit,
- Thread diameter,
- Maximum diameter of clearance hole in the fixture,
- Maximum thickness of the fixture,
- Minimum effective anchorage depth,
- Minimum hole depth,
- Torque moment,

European technical approval

ETA-10/0259

Page 8 of 16 | 28 March 2011

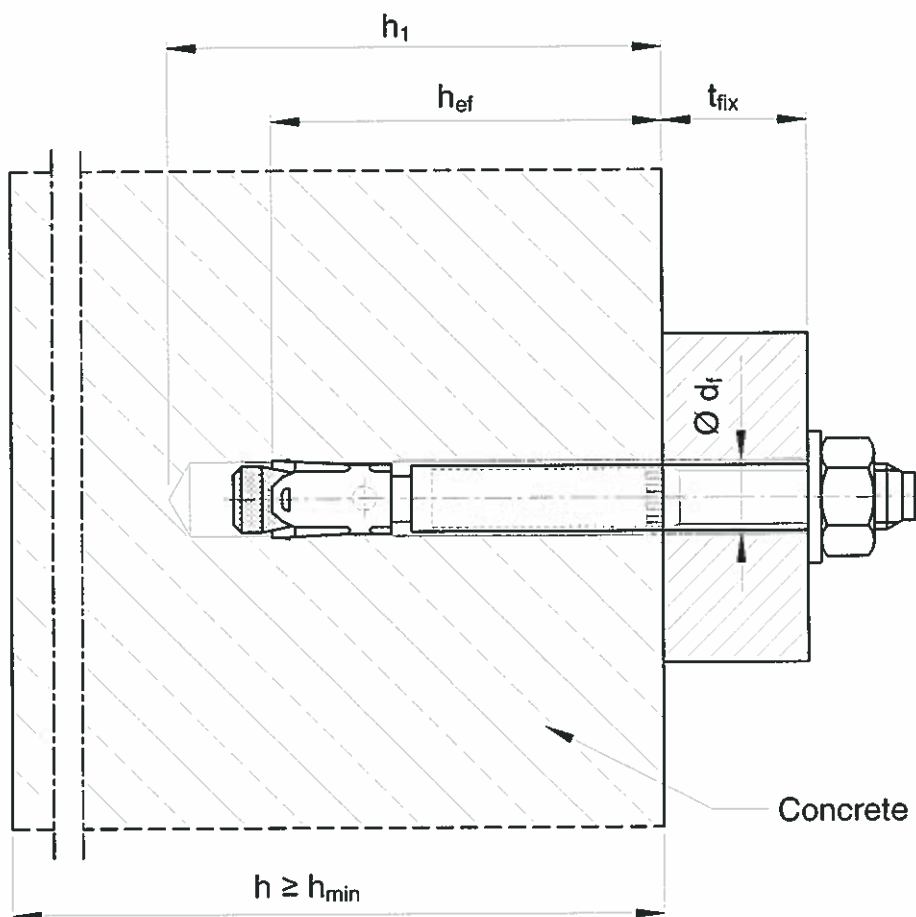
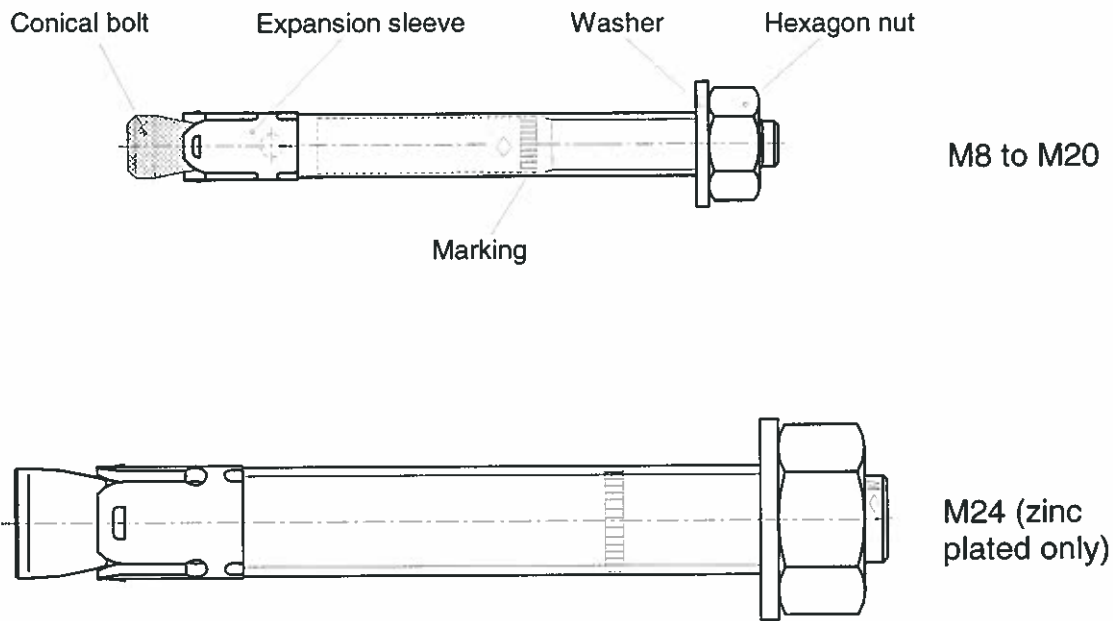
English translation prepared by DIBt

- Information on the installation procedure, including cleaning of the hole, preferably by means of an illustration,
- Reference to any special installation equipment needed,
- Identification of the manufacturing batch.

All data shall be presented in a clear and explicit form.

Georg Feistel
Head of Department

beglaubigt
Baderschneider

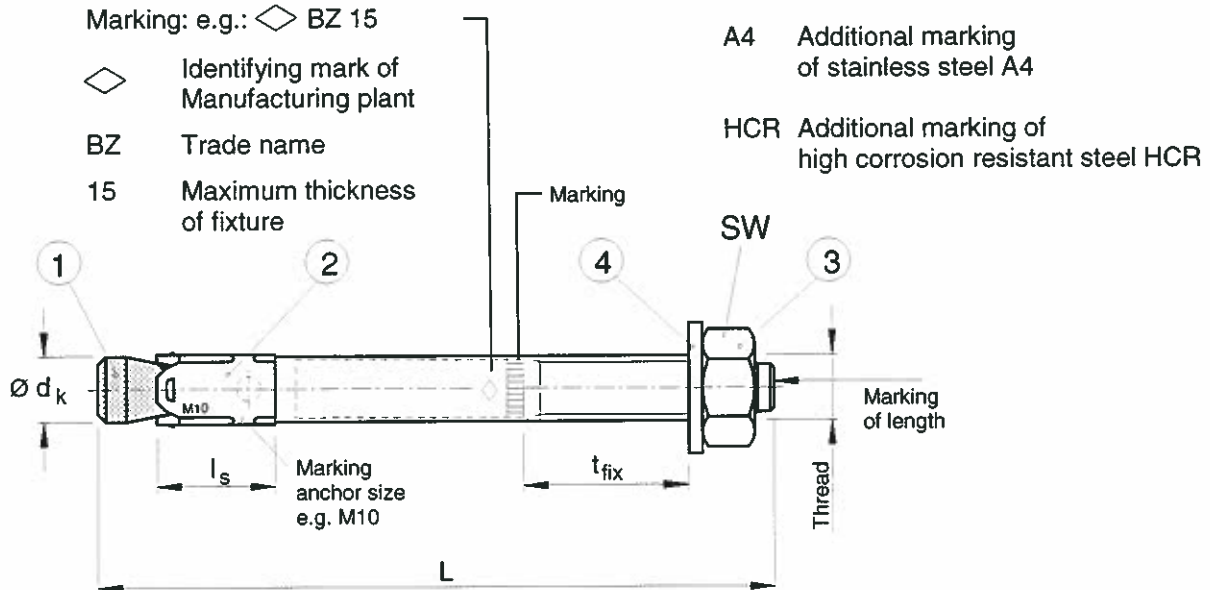


SIKLA Wedge Anchor BZ plus

Product intended use

Annex 1
of European
technical approval

ETA-10/0259



Marking of length ¹⁾	C (c)	D (d)	E (e)	F (f)	G (g)	H (h)	I (i)	J (j)	K (k)	L (l)	M (m)
Length of anchor min \geq	63,5	76,2	88,9	101,6	114,3	127,0	139,7	152,4	165,1	177,8	190,5
Length of anchor max $<$	76,2	88,9	101,6	114,3	127,0	139,7	152,4	165,1	177,8	190,5	203,2



Marking of length ¹⁾	N (n)	O (o)	P (p)	Q (q)	R (r)	S (s)	T (t)	U (u)	V (v)	W (w)	X (x)	Y (y)	Z (z)
Length of anchor min \geq	203,2	215,9	228,6	241,3	254,0	279,4	304,8	330,2	355,6	381,0	406,4	431,8	457,2
Length of anchor max $<$	215,9	228,6	241,3	254,0	279,4	304,8	330,2	355,6	381,0	406,4	431,8	457,2	483,0

¹⁾ Letters in brackets for anchor size 70 M12

Table 1: Anchor dimensions

Anchor size		M8	M10	M12	70 M12	M16	M20	M24	
1	Conical bolt	Thread	M8	M10	M12	M12	M16	M20	M24
		$\varnothing d_k =$	7,9	9,8	11,8	12,0	15,7	19,7	24
		$t_{fix} \max \leq$	3000	3000	3000	3000	3000	3000	3000
		L max	3065	3080	3095	3095	3120	3137	3161
2	Expansion sleeve	$l_s =$	14,5	18,5	22	24,3	28	32	
3	Hexagon nut	SW	13	17	19	24	30	36	

Dimensions in mm

SIKLA Wedge Anchor BZ plus

Anchor dimensions

Annex 2

of European technical approval

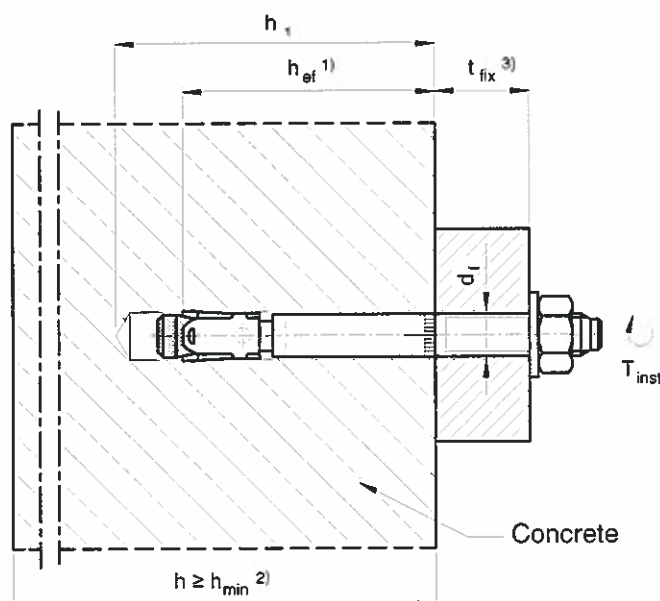
ETA-10/0259

Table 2: Materials

Part	Anchor size	Steel, zinc plated M8 to M20	Steel, zinc plated M24	Stainless steel A4	High corrosion resistant steel (HCR)
1	Conical bolt	Cold formed or machined steel, cone plastic coated (M8 to M20)	Threaded bolt, steel, property class 8.8, EN ISO 898-1	Stainless steel 1.4401, 1.4404, 1.4571 or 1.4578, EN 10088 Cone plastic coated	High corrosion resistant steel 1.4529 or 1.4565, EN 10088 Cone plastic coated
	Threaded cone, steel, property class 8, EN 20898-2				
2	Expansion sleeve	Steel acc. to EN 10088, material No. 1.4301 or 1.4401 for M8 – M20; Steel EN 10139 for M24		Stainless steel 1.4401 or 1.4571, EN 10088	Stainless steel 1.4401 or 1.4571, EN 10088
3	Hexagon nut	Property class 8 acc. to EN 20898-2, galvanised, coated		ISO 3506, property class 70, stainless steel 1.4401 or 1.4571, EN 10088, coated	ISO 3506, property class 70, high corrosion resistant steel 1.4529 or 1.4565, EN 10088, coated
4	Washer acc. to EN ISO 7089, or EN ISO 7093, or EN ISO 7094	Steel, galvanised		Stainless steel 1.4401 or 1.4571, EN 10088	High corrosion resistant steel 1.4529 or 1.4565, EN 10088

Table 3: Installation parameters

Anchor Size		M8	M10	M12	70 M12	M16	M20	M24
Nominal drill hole diameter	d_0 [mm]	8	10	12	12	16	20	24
Cutting diameter of drill bit	$d_{cut} \leq$ [mm]	8,45	10,45	12,5	12,5	16,5	20,55	24,55
Depth of drill hole	$h_1 \geq$ [mm]	60	75	90	90	110	125	145
Effective anchorage depth	h_{ef} [mm]	46	60	65	70	85	100	115
Installation torque	Steel, zinc plated T_{inst} [Nm]	20	25	45	45	90	160	200
	Stainless steel A4 / HCR T_{inst} [Nm]	20	35	50	50	110	200	-
Diameter of clearance hole in the fixture	$d_f \leq$ [mm]	9	12	14	14	18	22	26



- 1) Effective anchorage depth h_{ef}
 2) Minimum thickness of concrete member h_{min}
 3) Thickness of fixture t_{fix}

SIKLA Wedge Anchor BZ plus**Material,
Installation parameters****Annex 3**of European
technical approval**ETA-10/0259**

Table 4: Standard thickness of concrete member and respective minimum spacing and edge distance

Anchor Size		M8	M10	M12	70 M12	M16	M20	M24
Steel zinc plated								
Minimum thickness of member	h_{std} [mm]	100	120	130	140	170	200	230
Cracked concrete								
Minimum spacing	s_{min} [mm]	40	45	60	60	60	95	100
	for $c \geq$ [mm]	70	70	100	100	100	150	180
Minimum edge distance	c_{min} [mm]	40	45	60	60	60	95	100
	for $s \geq$ [mm]	80	90	140	140	180	200	220
Non-cracked concrete								
Minimum spacing	s_{min} [mm]	40	45	60	60	65	90	100
	for $c \geq$ [mm]	80	70	120	120	120	180	180
Minimum edge distance	c_{min} [mm]	50	50	75	75	80	130	100
	for $s \geq$ [mm]	100	100	150	150	150	240	220
Stainless steel A4, HCR								
Minimum thickness of member	h_{std} [mm]	100	120	130	140	160	200	-
Cracked concrete								
Minimum spacing	s_{min} [mm]	40	50	60	60	60	95	-
	for $c \geq$ [mm]	70	75	100	100	100	150	-
Minimum edge distance	c_{min} [mm]	40	55	60	60	60	95	-
	for $s \geq$ [mm]	80	90	140	140	180	200	-
Non-cracked concrete								
Minimum spacing	s_{min} [mm]	40	50	60	60	65	90	-
	for $c \geq$ [mm]	80	75	120	120	120	180	-
Minimum edge distance	c_{min} [mm]	50	60	75	75	80	130	-
	for $s \geq$ [mm]	100	120	150	150	150	240	-

Intermediate values by linear interpolation

Table 5: Minimum thickness of concrete member and respective minimum spacing and edge distance

Anchor Size		M8	M10	M12	70 M12	M16	M20	M24
Steel zinc plated and Stainless steel A4, HCR								
Minimum thickness of member	h_{min} [mm]	80	100	110	120	140	-	-
Cracked concrete								
Minimum spacing	s_{min} [mm]	40	45	60	60	70	-	-
	for $c \geq$ [mm]	70	90	100	100	160	-	-
Minimum edge distance	c_{min} [mm]	40	50	60	60	80	-	-
	for $s \geq$ [mm]	80	115	140	140	180	-	-
Non-cracked concrete								
Minimum spacing	s_{min} [mm]	40	60	60	60	80	-	-
	for $c \geq$ [mm]	80	140	120	120	180	-	-
Minimum edge distance	c_{min} [mm]	50	90	75	75	90	-	-
	for $s \geq$ [mm]	100	140	150	150	200	-	-

Intermediate values by linear interpolation

SIKLA Wedge Anchor BZ plus**Minimum thickness of member,
minimum spacing and edge distance****Annex 4**of European
technical approval**ETA-10/0259**

Table 6: Design method A, Characteristic values for tension loads

Anchor Size			M8	M10	M12	70 M12	M16	M20	M24	
Steel failure, Steel zinc plated										
Characteristic resistance	$N_{Rk,s}$	[kN]	16	27	39	40	60	86	126	
Partial safety factor	$\gamma_{Ms}^{3)}$	[-]	1,53			1,5		1,6	1,5	
Steel failure, Stainless steel A4, HCR										
Characteristic resistance	$N_{Rk,s}$	[kN]	16	27	40	40	64	108	-	
Partial safety factor	$\gamma_{Ms}^{3)}$	[-]	1,5					1,68	-	
Pullout										
Characteristic resistance in cracked concrete C20/25	$N_{Rk,p}$	[kN]	5	9	12	16	25	1)	1)	
Characteristic resistance in non-cracked concrete C20/25	$N_{Rk,p}$	[kN]	12	16	20	25	35	1)	1)	
Splitting for standard thickness of concrete member										
The higher resistance of Case 1 and Case 2 may be applied.										
Standard thickness of concrete	Steel zinc plated	$h_{std} \geq$	[mm]	100	120	130	140	170	200	230
	Stainless steel A4, HCR	$h_{std} \geq$	[mm]	100	120	130	140	160	200	-
Case 1										
Characteristic resistance in concrete C20/25	$N_{Rk,sp}^0$	[kN]	9	12	16	20	30	40	1)	
Respective spacing	$S_{cr,sp}$	[mm]	3 h_{ef}							
Respective edge distance	$C_{cr,sp}$	[mm]	1,5 h_{ef}							
Case 2										
Steel zinc plated										
Characteristic resistance in concrete C20/25	$N_{Rk,sp}^0$	[kN]	12	16	20	25	35	1)	1)	
Respective spacing	$S_{cr,sp}^5)$	[mm]	4 h_{ef}					4,4 h_{ef}	3 h_{ef}	
Respective edge distance	$C_{cr,sp}^5)$	[mm]	2 h_{ef}					2,2 h_{ef}	1,5 h_{ef}	
Stainless steel A4, HCR										
Characteristic resistance in concrete C20/25	$N_{Rk,sp}^0$	[kN]	12	16	20	25	35	1)	-	
Respective spacing	$S_{cr,sp}^5)$	[mm]	230	250	260	280	400	440	-	
Respective edge distance	$C_{cr,sp}^5)$	[mm]	115	125	130	140	200	220	-	
Splitting for minimum thickness of concrete member										
Minimum thickness of concrete	$h_{min} \geq$	[mm]	80	100	110	120	140	-	-	
Characteristic resistance in concrete C20/25	$N_{Rk,sp}^0$	[kN]	12	16	20	25	35	-	-	
Respective spacing	$S_{cr,sp}^5)$	[mm]	5 h_{ef}							
Respective edge distance	$C_{cr,sp}^5)$	[mm]	2,5 h_{ef}							
Increasing factors for $N_{Rk,p}$ and $N_{Rk,sp}^0$	ψ_c	C30/37	[-]				1,22			
		C40/50	[-]				1,41			
		C50/60	[-]				1,55			
Concrete cone failure										
Effective anchorage depth	h_{ef}	[mm]	46	60	65	70	85	100	115	
Spacing	$S_{cr,N}$	[mm]	3 h_{ef}							
Edge distance	$C_{cr,N}$	[mm]	1,5 h_{ef}							
Partial safety factor	$\gamma_{Mp} = \gamma_{Msp} = \gamma_{Mc}^{3)}$	[-]	1,5 ²⁾							

1) Pullout is not decisive

2) The partial safety factor $\gamma_2 = 1,0$ is included

3) In absence of other national regulations

4) For the proof against splitting failure according to ETAG 001 Annex C, $N_{Rk,c}^0$ in equation (5.3) has to be replaced by $N_{Rk,sp}^0$ with consideration of the member thickness ($\psi_{ucr,sp} = 1,0$).5) The values $S_{cr,sp}$ and $C_{cr,sp}$ may be linearly interpolated for member thickness $h_{min} < h < h_{std}$ (case 2) ($\psi_{h,sp} = 1,0$).**SIKLA Wedge Anchor BZ plus****Design method A,
Characteristic values for tension loads****Annex 5**of European
technical approval**ETA-10/0259**

Table 7: Displacements under tension loads

Anchor Size			M8	M10	M12	70 M12	M16	M20	M24
Steel zinc plated									
Tension load in cracked concrete	N	[kN]	2,4	4,3	5,7	7,6	11,9	17,1	21,1
Displacement	δ_{NO}	[mm]	0,6	1,0	0,7	0,4	1,0	0,9	0,7
	$\delta_{N\infty}$	[mm]	1,4	1,2	1,0	1,4	1,3	1,0	1,2
Tension load in non-cracked concrete	N	[kN]	5,7	7,6	9,5	11,9	16,7	23,8	29,6
Displacement	δ_{NO}	[mm]	0,4	0,5	0,3	0,7	0,3	0,4	0,5
	$\delta_{N\infty}$	[mm]		0,8		1,4		0,8	
Stainless steel A4, HCR									
Tension load in cracked concrete	N	[kN]	2,4	4,3	5,7	7,6	11,9	17,1	-
Displacement	δ_{NO}	[mm]	0,7	1,8	0,8	0,4	0,7	0,9	-
	$\delta_{N\infty}$	[mm]	1,2	1,4	1,4	1,4	1,4	1,0	-
Tension load in non-cracked concrete	N	[kN]	5,8	7,6	9,5	11,9	16,7	23,8	-
Displacement	δ_{NO}	[mm]	0,6	0,5	0,5	0,7	0,2	0,4	-
	$\delta_{N\infty}$	[mm]	1,2	1,0	1,0	1,4	0,4	0,8	-

Table 8: Design method A, Characteristic values for shear loads

Anchor Size			M8	M10	M12	70 M12	M16	M20	M24
Steel failure without lever arm, Steel zinc plated									
Characteristic resistance	$V_{Rk,s}$	[kN]	15	22	33	30	60	69	114
Partial safety factor	γ_{Ms}	[-]	1,25				1,33		1,25
Steel failure without lever arm, Stainless steel A4, HCR									
Characteristic resistance	$V_{Rk,s}$	[kN]	13	20	30	30	55	86	-
Partial safety factor	γ_{Ms}	[-]	1,25				1,4		-
Steel failure with lever arm, Steel zinc plated									
Characteristic bending resistance	$M_{Rk,s}^0$	[Nm]	23	47	82	82	209	363	898
Partial safety factor	γ_{Ms}	[-]	1,25				1,33		1,25
Steel failure with lever arm, Stainless steel A4, HCR									
Characteristic bending resistance	$M_{Rk,s}^0$	[Nm]	26	52	92	92	233	454	-
Partial safety factor	γ_{Ms}	[-]	1,25				1,4		-
Concrete pryout failure									
Factor in equation (5.6) ETAG 001, Annex C, 5.2.3.3	k	[-]	2,0	2,0	2,0	2,0	2,0	2,0	2,0
Partial safety factor	γ_{Mcp}	[-]	1,5 ²⁾						
Concrete edge failure									
Effective length of anchor in shear loading	l_f	[mm]	46	60	65	70	85	100	115
Outside diameter of anchor	d_{nom}	[mm]	8	10	12	12	16	20	24
Partial safety factor	γ_{Mc}	[-]	1,5 ²⁾						

¹⁾ In absence of other national regulations

²⁾ The partial safety factors $\gamma_1 = \gamma_2 = 1,0$ are included

Table 9: Displacements under shear loads

Anchor Size			M8	M10	M12	70 M12	M16	M20	M24
Steel zinc plated									
Shear load in cracked and non-cracked concrete	V	[kN]	8,6	12,6	18,9	17,1	34,3	36,8	64,9
Displacement	δ_{V0}	[mm]	2,3	2,2	3,0	2,2	4,0	1,8	3,5
	$\delta_{V\infty}$	[mm]	3,5	3,3	4,6	3,4	6,0	2,7	5,3
Stainless steel A4, HCR									
Shear load in cracked and non-cracked concrete	V	[kN]	7,3	11,6	16,9	16,9	31,3	43,8	-
Displacement	δ_{V0}	[mm]	3,2	4,4	5,2	5,2	6,5	2,9	-
	$\delta_{V\infty}$	[mm]	4,8	6,6	7,8	7,8	9,8	4,3	-

SIKLA Wedge Anchor BZ plus

**Design method A,
Characteristic values for shear loads,
Displacements**

Annex 6

of European
technical approval

ETA-10/0259

Table 10: Characteristic values of tension resistance under fire exposure in cracked and non-cracked concrete C20/25 to C50/60

Anchor size	M8		M10		M12, 70 M12		M16		M20		M24													
	30	60	90	120	30	60	90	120	30	60	90	120												
Fire resistance duration R... [min]	30	60	90	120	30	60	90	120	30	60	90	120												
Steel failure, Steel zinc plated																								
Characteristic resistance $N_{Rk,s,fi}$ [kN]	1,4	1,1	0,8	0,7	2,2	1,8	1,4	1,2	3,2	2,8	2,4	2,2	6	5,2	4,4	4	9,4	8,2	6,9	6,3	13,6	11,8	10,0	9,1
Steel failure, Stainless Steel A4, HCR																								
Characteristic resistance $N_{Rk,s,fi}$ [kN]	3,8	2,9	2	1,6	6,9	5,2	3,5	2,7	11,5	8,6	5,6	4,2	21,5	16	10,5	7,8	33,5	25	16,4	12,1	-	-	-	-
Pullout failure																								
Characteristic resistance in concrete C20/25 to C50/60 $N_{Rk,p,fi}$ [kN]	1,3	1,0	1,0	2,3	1,8	3,0	2,4	2,4	5,0	6,3	7,2	11,0	8,8											
Concrete cone failure																								
Characteristic resistance in concrete C20/25 to C50/60 $N^0_{Rk,c,fi}$ [kN]	2,6	2,1	5,0	4,0	6,1	4,9	4,9	9,6	12,0	14,4	18,0	25,5	20,4											
Spacing $S_{cr,N,fi}$	4 x h_{ef}																							
Edge Distance $C_{cr,N,fi}$	2 x h_{ef}																							
Minimum spacing and edge distance under fire exposure from one side	according to Annex 4																							
Minimum spacing and edge distance under fire exposure from more than one side	S_{min} according to Annex 4; $C_{min} \geq 300$ mm																							

In absence of other national regulations the partial safety factor for resistance under fire exposure $\gamma_{M,fi} = 1,0$ recommended.

SIKLA Wedge Anchor BZ plus

Characteristic values of tension resistance under fire exposure

Annex 7

of European technical approval

ETA-10/0259

Table 11: Characteristic shear resistance under fire exposure in cracked and non-cracked concrete C20/25 to C50/60

Anchor size:	M8			M10			M12, 70 M12			M16			M20			M24							
	30	60	90	120	30	60	90	120	30	60	90	120	30	60	90	120	30	60	90	120			
Fire resistance duration R... [min]	30	60	90	120	30	60	90	120	30	60	90	120	30	60	90	120	30	60	90	120			
Steel failure without lever arm, Steel zinc plated																							
Characteristic resistance $V_{Rk,s,fi}$ [kN]	1,6	1,5	1,2	1,0	2,6	2,5	2,1	2,0	3,8	3,6	3,5	3,4	7,0	6,8	6,5	6,4	11,0	11,0	10,0	10,0	16,0	15,0	14,0
Steel failure without lever arm, Stainless steel A4, HCR																							
Characteristic resistance $V_{Rk,s,fi}$ [kN]	3,8	2,9	2,0	1,6	6,9	5,2	3,5	2,7	11,5	8,6	5,6	4,2	21,5	16,0	10,5	7,8	33,5	25,0	16,4	12,1	-	-	-
Steel failure with lever arm, Steel zinc plated																							
Characteristic resistance $M^0_{Rk,s,fi}$ [kN]	1,7	1,6	1,2	1,1	3,3	3,2	2,7	2,5	5,9	5,6	5,4	5,3	15,0	14,0	14,0	13,0	29,0	28,0	27,0	26,0	50,0	48,0	46,0
Steel failure with lever arm, Stainless steel A4, HCR																							
Characteristic resistance $M^0_{Rk,s,fi}$ [kN]	3,8	2,9	2,1	1,6	9,0	6,8	4,5	3,4	17,9	13,3	8,8	6,5	45,5	33,9	22,2	16,4	88,8	66,1	43,4	32,1	-	-	-
Concrete pryout failure:																							
In Equation (5.6) of ETAG 001, Annex C, 5.2.3.3 the k-factor 2,0 and the relevant values of $N^0_{Rk,c,fi}$ of Table 10 have to be considered.																							
Concrete edge failure:																							
the initial value $V^0_{Rk,c,fi}$ of the characteristic resistance in concrete C20/25 to C50/60 under fire exposure may be determined by: $V^0_{Rk,c,fi} = 0,25 \times V^0_{Rk,c} (R30, R60, R90) \quad V^0_{Rk,c,fi} = 0,20 \times V^0_{Rk,c} (R120)$ with $V^0_{Rk,c}$ initial value of the characteristic resistance in cracked concrete C20/25 under nominal temperature.																							
In absence of other national regulations the partial safety factor for resistance under fire exposure $\gamma_{M,fi} = 1,0$ is recommended.																							

SIKLA Wedge Anchor BZ plus

Characteristic shear resistance under fire exposure

Annex 8

of European technical approval

ETA-10/0259